

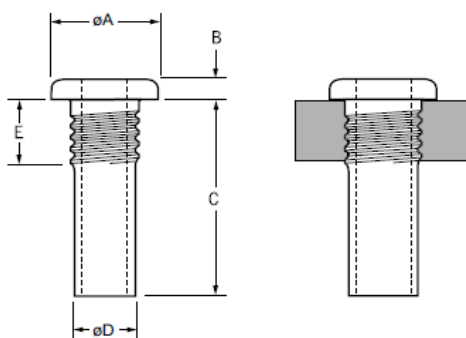
Avdel® Avlug®

The Avdel Avlug® Speed Fastening® system is an easy to solder post designed for use in terminals and for wire wrapping. The Avlug rivets rolled shank ensures secure placement in the PCB. Available in diameters as small as 1.6mm giving this rivet a wide variety of applications.

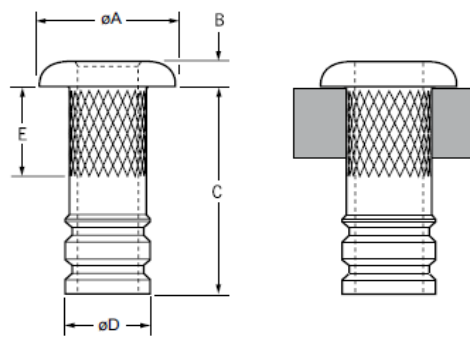
Key features and benefits

- Rolled/knurled shank ensures secure placement in the PCB
- Suitable for wire wrapping or a test point for CRO tubes
- Available with diameters as small as 1.6 mm for miniature assemblies

Avlug® 1107



Ø1.6 mm



Ø2.4 & 3.2 mm

Dome head

Brass*

Tin plated**

Ø	🌀		ØA	B	C	ØD	E	No. of grooves / cannelures / Rillen / rigature / aros	Fasteners per pod / Nombre de rivets par chargeur / Niete pro Magazin / Rivetti per caricatore / Uds./carga	Part No/ref
	min.	max.								
1.6 (1/16")	1.80	1.93	2.80	0.61	4.11	1.79	2.04	4	62	01107-00205
					6.51					
2.4 (3/32")	2.62	2.74	4.15	0.94	8.36	2.60	3.43	2	33	01107-00310
					9.96					
3.2 (1/8")	3.38	3.51	5.52	1.15	9.96	3.36	3.43	3	26	01107-00412

Authorised UK distributors for: