

Avdel® Avtronic®

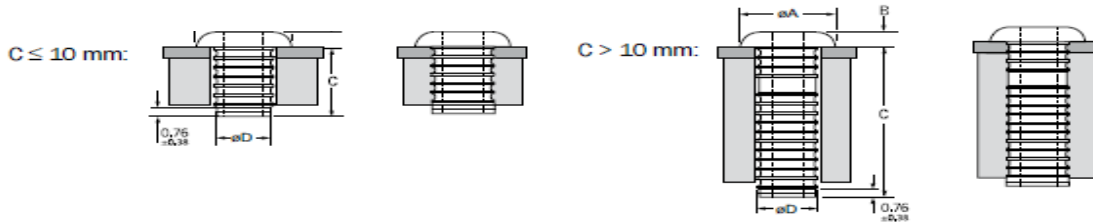
The Avdel Avtronic® Speed Fastening® system has been designed as an assembly solution for attaching connectors and components to PCBs. The Avtronic rivet has annular grooves along its body which expand radially during insertion. This provides a vibration resistant joint and good pull out resistance.

Key features and benefits

- Annular grooves on the body expand radially during installation
- Provide a vibration resistant joint, increased pull-out resistance and good residual clamp
- Various body lengths provide a wide grip range to accommodate most combinations of connector and PC board thickness
- Ideal tack rivet
- Can be used in blind hole applications

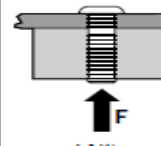


Avtronic® 1189

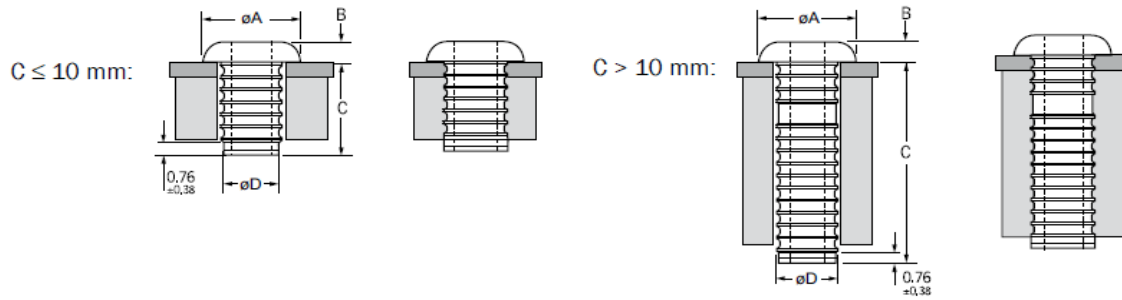


Dome head

Aluminium alloy*
(5 % Mg)
Natural

Ø	Drill		ØA	ØB	C	D	 kN ⁽¹⁾	Fasteners per pod/ Nombre de rivets par chargeur / Niete pro Magazin / Rivetti per caricatore / Uds./ carga	Part No/ref
	nom.	min.							
2.5	2.50	2.60	4.14	0.94	5.18	2.48	0.03	51	01189-02506
					6.78			41	01189-02508
					8.36			33	01189-02510
					9.96			28	01189-02512
					11.53			24	01189-02514
					13.13			21	01189-02516
					14.71			19	01189-02518
					16.31			17	01189-02520
					17.88			16	01189-02522
					2.8			2.80	2.90
6.78	41	01189-02808							
8.36	33	01189-02810							
9.96	28	01189-02812							
11.53	24	01189-02814							
13.13	21	01189-02816							
14.71	19	01189-02818							
16.31	17	01189-02820							
17.88	16	01189-02822							


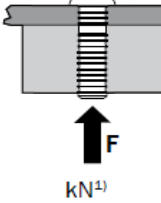
Avtronic® 1188



Dome head

Brass*

Electro tin plated**

ø nom.			øA max.	B max.	C max.	øD max.	 kN ^{d)}	Fasteners per pod/ Nombre de rivets par chargeur / Niete pro Magazin / Rivetti per caricatore / Uds./ carga ± 1	Part No/ref
	min.	max.							
2.5	2.50	2.60	4.14	0.94	5.18	2.48	0.045	51	01188-02506
					6.78			41	01188-02508
					8.36			33	01188-02510
					9.96			28	01188-02512
					11.53			24	01188-02514
					13.13			21	01188-02516
					14.71			19	01188-02518
					16.31			17	01188-02520
					17.88			16	01188-02522
2.8	2.80	2.90	4.14	0.94	5.18	2.75	0.067	52	01188-02806
					6.78			41	01188-02808
					8.36			33	01188-02810
					9.96			28	01188-02812
					11.53			24	01188-02814
					13.13			21	01188-02816
					14.71			19	01188-02818
					16.31			17	01188-02820
					17.88			16	01188-02822

Authorised UK distributors for:

