



Hydro-pneumatic Handtool for Lockbolts

722 Model

The Avdel 722 tool is a heavy duty cast aluminium hydro pneumatic power tool capable of withstanding the toughest production lines. The 722 series has been designed to be quick to use and operator friendly, reducing fatigue whilst delivering consistent high quality installation. The 722 rivet tool can be used with various nose assemblies allowing installation of an assortment of fastenings.

Features

- Robust and durable construction
- Cast aluminium tool body
- Designed for heavy duty use over long periods of time
- Wide choice of different nose assemblies to suit the access restrictions of the application

Benefits

- Extremely durable lockbolt tool
- High reliability
- Can be fitted with a collar cropper to remove installed Avdelok® lockbolts

Specifications

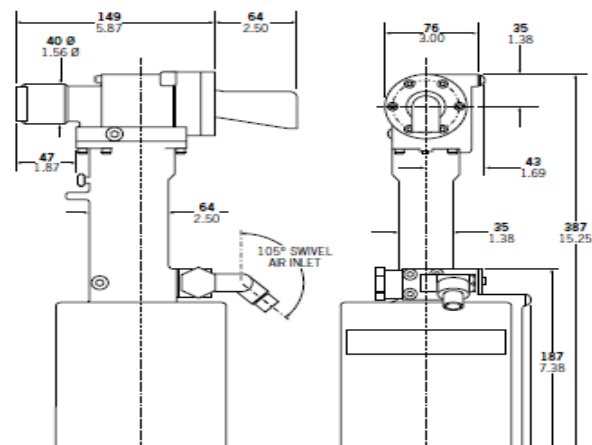
Weight (without nose equipment)	5.0 kg (11 lbs)
Pull force @ 5.5 bar	26.7 kN (6000lbf)
Stroke min.	19 mm (0.75ins)
Cycle time	3.0 sec
Air supply pressure	5.4 – 8.5 bar
Free air volume @ 5.1 bar	14.6 litres
Noise level	72 dB(A)
Vibration	< 2.5m/s ²

Placing capability

Avdelok® lockbolts \varnothing 6.4 mm ($\frac{1}{4}$ " to 9.6 mm ($\frac{3}{8}$ " and Avbolt® structural blind fasteners \varnothing 4.8 mm ($\frac{3}{16}$ " to 8.0 mm ($\frac{5}{16}$ ").



Dimensions (mm/inch)



Authorised UK distributors for: