

# AccuBird®

**The well-proven Blind rivet setting tool, now with new Li-Ion energy**



#### AccuBird® – Reliability

- Electronic control
- No mechanical switching components
- Electronic temperature and overload protection
- High reliability through low loss power transmission via a highly efficient ball screw drive

#### AccuBird® – Freedom

Cablefree tool for flexible operation in installation jobs and industry production

#### AccuBird® – High performance

- High pulling force for safe setting of blind rivets up to 5 mm diameter in all materials
- High yield per battery charge
- 20 mm stroke

#### AccuBird® – Ergonomy

- Fatiguefree working through well balanced weight repartition and ergonomic grip

#### AccuBird® – Versatility

Blind rivets up to 5 mm Ø all materials. BULB-TITE® Blind rivets 4; 5,2 and 6,3 mm Ø Alu and Steel



AccuBird® with 14,4 V/1,3 Ah battery and charger, in metall carrying case **Art-Nr. 725 0037**

AccuBird® with 14,4 V/1,3 Ah battery and charger, in cardboard box **Art-Nr. 725 0029**

AccuBird® with 14,4 V/1,3 Ah, in cardboard box **Art-Nr. 725 0010**

**GESIPA®**  
The Experts  
in Blind Riveting

CE-Conformity:  
Machine safety acc. to EU-  
Directive N° 2006/42/ EG

#### AccuBird® – With new Li-Ion Energy

- Choice of 1,3 Ah and 2,6 Ah Li-Ion batteries
- No memoryeffect
- High energy yield through high voltage and low weight increase ease and speed of operation
- Very low self-discharge
- New battery shape allow the tool to be stored standing on its battery

#### AccuBird® – Cleverly designed

- Exchange nosepieces and wrench always in the tool
- Compact, shockproof tool housing
- Broken mandrel evacuation into the mandrel container through back tilting or forwards through the nosepiece by gravity

#### AccuBird® – High speed

- High speed of operation through automatic resetting of the jaw mechanism immediately after each setting process

Authorised UK distributors for:

### AccuBird® – Technical characteristics

Drive: DC-motor  
 Pulling force: 8.500 N  
 Stroke: 20 mm  
 Weight (incl. 1,3 Ah battery): 2,0 kg (4,4 lbs)

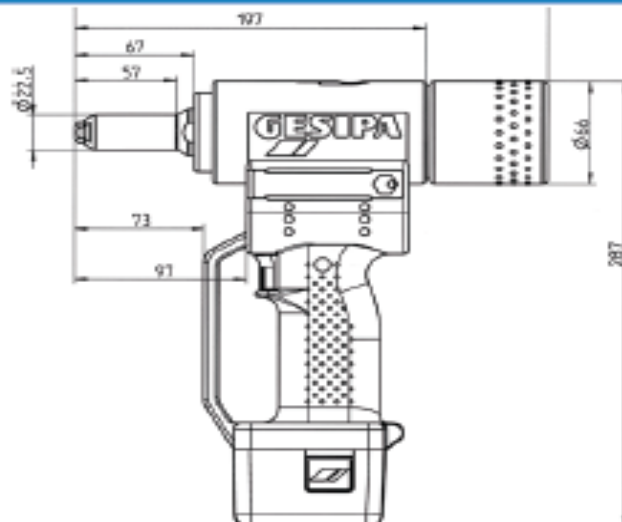
#### Batteries

Nominal voltage: 14,4 V  
 Capacity: 1,3 Ah / 2,6 Ah  
 Number of cells: 4 / 8  
 Cell type: LHon  
 Weight: 0,35 / 0,5 kg (0,77 / 1,1 lbs)  
**P/N 1,3 Ah battery 725 1045**  
**P/N 2,6 Ah battery 725 1049**

#### Battery charger

Primary voltage: 230V/50Hz  
 Charging time (full charge): 50 to 100 minutes  
 (acc. to battery type)  
 Weight: 0,6 kg (1,32 lbs)  
**P/N 725 1134**

### AccuBird® – Dimensions



### Nosepiece allocation - Typical performance per charge

Blind rivet Ø in mm	Material	pcs/battery charge (1,3 Ah)	Nosepiece	P/N
2,4	Alu	1.500	17/18*	725 2075
3,2	CAP.Alu, CAP.CU	1.100	17/18*	725 2075
3 and 3,2	Alu	800	17/24	725 1583
3 and 3,2	Steel	800	17/24	725 1583
3 and 3,2	Stainl. Steel	800	17/24	725 1583
4	Alu	800	17/24	725 1583
4	Steel	700	17/27	725 2040
4	Stainl. Steel	640	17/29	725 2059
4,8 and 5	Alu	550	17/29	725 2059
4,8 and 5	Steel	420	17/32	725 2067
4,8 and 5	Stainl. Steel	320	17/36*	725 2083
6	Alu	240	17/36*	725 2083

#### BULB-TITE® Blind rivets

4	Alu/Alu	1.000	17/26 BT*	725 2202
5,2	Alu/Alu	800	17/32 BT*	725 2210
6,3	Alu/Alu	600	17/42 BT*	725 2229
6,3	Steel/Steel	300	17/42 BT*	725 2229



790 002 101/11

Authorised UK distributors for:

