

PowerBird®

The powerful blind rivet setting tool, now with new Li-Ion Energy



PowerBird® - Innovation

As a stronger brother to the well-known AccuBird® the PowerBird® is the logical upwards extension of the so-called „Bird-Familie“ from GESIPA® able to cope with all structure blind rivets up to 6,4 mm diameter.

PowerBird® - Practical aspects

Already well-proven with the AccuBird®:

- Fatiguefree working through well balanced weight repartition and ergonomic grip
- Gravity controlled evacuation of broken mandrels: forward through the nosepiece or backwards into the mandrel container
- The immediate and automatic reset after each riveting process saves energy and speeds up the operation
- Exchange nosepieces and wrench always included in the tool eliminate work interruptions
- Compact, shockproof tool housing
- User oriented scope of delivery: metal carrying case with one battery charger, one battery and four nosepieces

CE-Conformity:
Machine safety acc.
EU-Directive
N° 2006/42/EG

PowerBird® - With new Li-Ion-Energy

- 2,6 Ah battery, alternatively 1,3 Ah on request
- No Memory-effect
- High Energy yield through high voltage and low weight for easy and fast operation
- Extremely low self discharge
- New battery shape allow the tool to be stored standing on its battery

PowerBird® - Economy

- Excellent price-performance ratio
- Large operating range
- Short working sequences
- High autonomy through 2,6 Ah battery

PowerBird® - Versatility

Blind rivets from Ø 4,8 mm Steel to Ø 6,4 mm all materials, up to Ø 8 mm Alu, except G-Bulb Ø 6,4 mm.
BULB-TITE® blind rivets up to Ø 7,7 mm, all materials.
MEGA GRIP® blind rivets up to Ø 6,4 mm all materials.



PowerBird® in carrying case with 14,4 Volt / 2,6 Ah battery and charger

P/N 724 0031

PowerBird® with pressure trigger, 14,4 Volt / 2,6 Ah battery and charger

P/N 724 0160

Set of jaws (3-part) for PowerBird®

P/N 710 2208

GESIPA®
The Experts
in Blind Riveting

Authorised UK distributors for:

PowerBird® – Technical characteristics

Pulling force:	13.000 N
Weight (incl. 2,6 Ah battery):	2,2 kg (4,85 lbs)
Drive:	DC-motor
Stroke:	20 mm

Battery

Nominal voltage:	14,4 V
Capacity:	2,6 Ah
Number of cells:	8
Cell type:	Li-Ion
Weight:	0,5 kg (1.1 lbs)

P/N **725 1049**

Battery charger

Primary voltage:	230V/50Hz
Charging time:	approx. 100 Minutes
Weight:	0,6 kg (1,32 lbs)

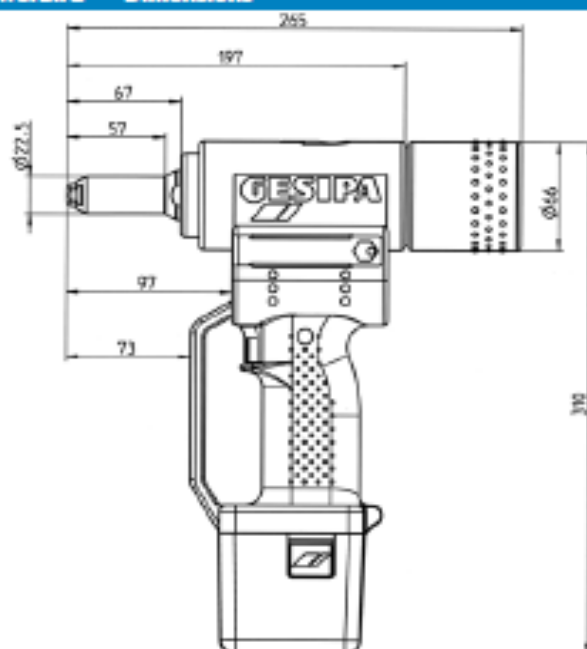
P/N **725 1134**

Nosepiece allocation - Typical performance per charge

Blind rivet Ø in mm	Material	pcs/battery charge (2,6 Ah)	Nosepiece	P/N
4,8 and 5,0	Steel Alu/Alu	700	17/32	725 2067
4,8 and 5,0	Stainl. Steel	560	17/36	725 2083
6,0	Alu	560	17/36	725 2083
6,0	Steel	300	17/40	725 2560
6,4	Alu/PG-Alu	420	17/45	724 3065
6,4	Steel	250	17/45	724 3065
8	Alu	350	17/45	724 3065

BULB-TITE® Blind rivets

4,0	Alu/Alu	1.000	17/26 BT*	725 2202
5,2	Alu/Alu	900	17/32 BT*	725 2210
6,3	Alu/Alu	590	17/42 BT*	725 2229
6,3	Steel/Steel	310	17/42 BT*	725 2229
6,3	Monel/ Stainl. Steel	380	17/42 BT*	725 2229
7,7	Alu/Alu	470	17/48 BT*	725 2237
			& jaws	715 1527

PowerBird® – Dimensions**MEGA GRIP® Blind rivets**

Blind rivet Ø in mm	Material	pcs/per charge	Nosepiece	P/N
4,8	Alu/Alu	600	17/31 MG*	725 2250
6,4	Alu/Alu	420	17/41 MG*	725 3146
4,8	Steel/Steel	420	17/31 MG*	725 2250
6,4	Steel/Steel	150	17/41 MG*	725 3146
4,8	Stainl./ Stainl. Steel	420	17/31 MG*	724 2250
6,4	Stainl./ Stainl. Steel	150	17/41 MG*	724 3146

* Available as special accessory
Special nosepieces available on request

Authorised UK distributors for:

Avdel southco

BBA
www.blindrivets.com

DEJOND

GESIPA®

EJOT®