



Hydro Pneumatic Tool for Avdel® Lockbolts 71255 Model

The Avdel Genesis® G2 LB (71255 model) is a lightweight tool for placing Avdelok® lockbolts 4.8 mm and 6.4 mm (3/16" and 1/4") and Maxlok® lockbolts 4.8 mm (3/16") at high speed making it ideal for batch or flow-line assembly.

Features

- Lightweight, ergonomically designed tool
- Toughened plastic body and heavy duty rubber base
- High speed placement
- Integrated cycle counter
- Can be suspended
- Can also place a wide range of breakstem rivets with optional equipment

Benefits

- Reduced operator fatigue
- Robust and durable tool
- Increased productivity
- Stroke counter indicates accurate service intervals
- Flexible in production

Specifications

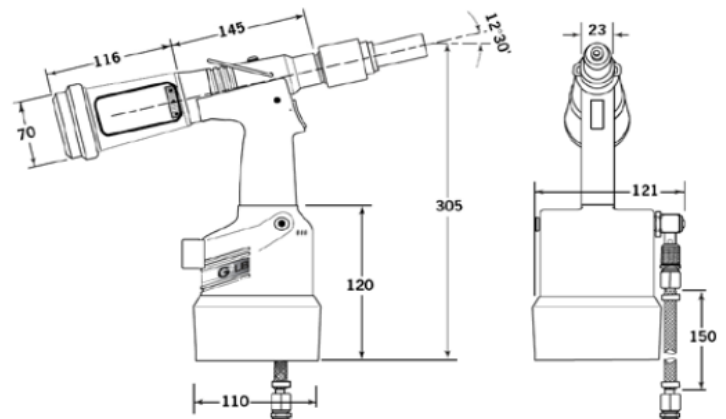
Weight (incl. nose equip.)	2.4 kg (5.29 lbs)
Pull force @ 5.5 bar	12.47 kN (2803 lbf)
Stroke (min.)	13 mm (0.51 in)
Cycle time (approx.)	1.0 sec
Air supply pressure	5-7 bar (73-101 psi)
Free air volume @ 5.5 bar	2.1 litres
Noise level	75 dB(A)
Vibration	<2.5m/s ²

Placing capability

Avdelok® lockbolts \varnothing 4.8 mm (3/16") and 6.4 mm (1/4") and Maxlok® lockbolts \varnothing 4.8 mm (3/16").



Dimensions (mm)



Authorised UK distributors for: