



Hydro Pneumatic Tool for Threaded Inserts 74200 Model

The Avdel 74200 model is a lightweight ergonomic tool for placement of a wide range of threaded inserts. It features a one step trigger for simplicity and ease of use whilst the tough plastic body makes this tool capable of withstanding the toughest of production lines. The 74200 can be suspended or used as a hand tool, allowing maximum installations to minimise your installation costs.

Features

- Heavy duty plastic body and long-life components
- Lightweight and ergonomically designed
- Latest 'spin-pull' technology
- One-step trigger
- Can be suspended or hand-held

Benefits

- Ideal for demanding production environments
- Quick and simple operation
- Reduces operator fatigue
- Increased productivity
- Places a wide range of threaded inserts
- Ensures accurate and secure thread installation



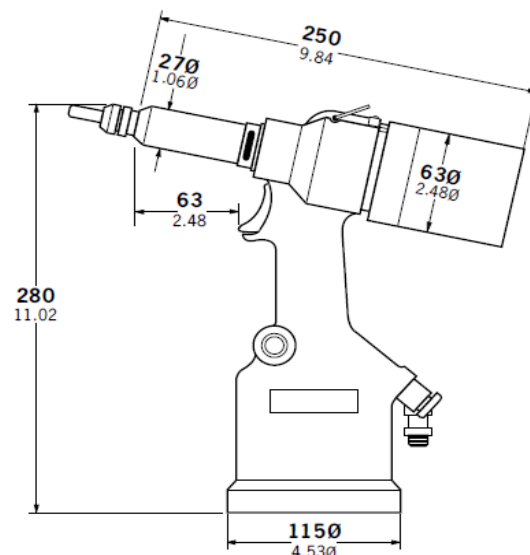
Specifications

Weight	2.2 kg (4.9 lbs)
Pull Force	19.1 kN (4,300 lbf)
Stroke	7 mm (0.276 in)
Cycle Time	2.5 sec
Air Supply Pressure	5 - 7 bar
Free air volume	8 litres
Noise level	75 dB(A)
Vibration	<2.5m/s ²

Placing capability

Avdel threaded inserts up to M12.

Dimensions (mm/inch)



Authorised UK distributors for: