



## Hydro-pneumatic Handtool for Speed Fasteners

### 753 Model

Avdel's 753 tool is a high performance, hydro pneumatic hand tool in heavy duty plastic, designed for rapid, blind side installation of Avdel Speed Fastening® System. The 753 tool is the only one you need to place the whole range of Avdel speed fasteners (\*except  $\varnothing 1.6$  mm Avlug®). This tool can fit 1500 fasteners per hour with the ability to work in hard to reach areas. The 753 has an extensive range of options to meet your individual needs.

#### Features

- Average cycle time of less than 2 seconds
- High capacity, magazine fed fasteners
- Robust and durable construction
- Lightweight construction and low actuation recoil
- Available with in-line handle and top or bottom hose configuration
- Low maintenance handtool
- Long life, self priming intensifier
- Long reach barrel

#### Benefits

- Increased productivity
- Reduced component handling and subsequent spillage
- Reduced operator fatigue
- Optimised ergonomic performance for improved productivity
- Productive time is maximised
- Consistent actuation and hence joint formation
- Can be used in many difficult access applications

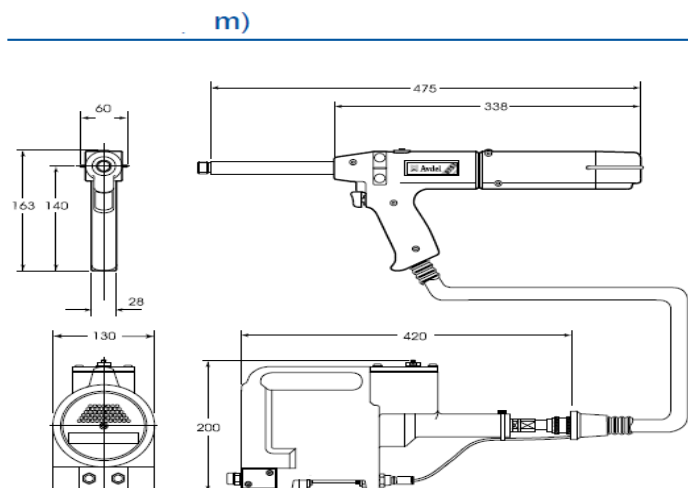


#### Specifications

Weight (pistol only)	1.2 kg (2.6 lbs)
Pull Force @ 5.5 bar	3.89 kN (875lbf)
Stroke min.	30 mm (1.18ins)
Cycle Time	1.0 sec
Air Supply Pressure	5 - 7 bar
Free Air Volume @ 5.1 bar	2.6 litres
Noise Level	< 70 dB(A)
Vibration	< 2.5m/s <sup>2</sup>
Intensification ratio	32:1

#### Placing capability

All Speed Fasteners from diameter 2.4 mm (3/32") to 6.4 mm (1/4").



Authorised UK distributors for: