



## Lightweight Tool for Speed Fastening® Systems 7537 Model

Avdel's 7537 tool is a lightweight yet tough and durable hydraulic hand tool to fit the standard range of Avdel speed fasteners. With no long umbilical and a rapid cycle time this lightweight tool is simple to use reducing your operators' fatigue. The 7537 has a variety of options including the ability to be suspended to ensure your requirements are matched.

### Features

- Ergonomic design, lightweight tool
- Intensifier made integral to the hand tool
- Can be suspended (optional)
- Use hydraulic for placing fasteners (reduced shock loads)
- Utilizes standard 753 nose equipment
- Can place the same range of fasteners as 7530 tool
- Specially toughened plastic body and heavy duty rubber base
- Integral cycle counter

### Benefits

- Reduced operator fatigue, increased productivity
- No need for long umbilical
- Reduced setting time
- Ease of maintenance
- Increased impact resistance and durability

### Specifications

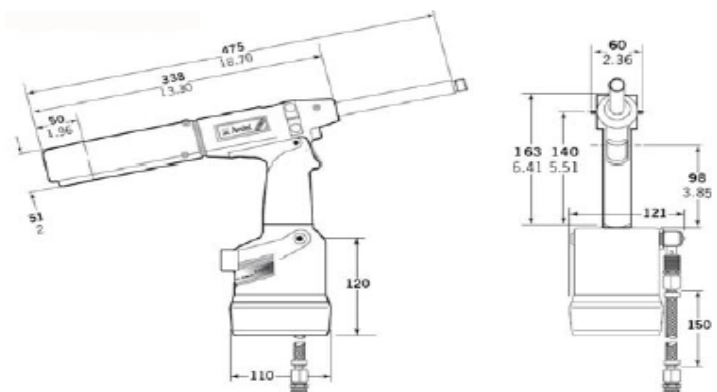
Weight	2.2kg (4.85lbs)
Pull Force	3.89kN (875lbf)
Stroke	30mm (1.18ins)
Cycle Time	1.0 sec
Air Supply Press.	5 – 7 bar
Free Air Volume @ 5,1 bar	2.6 litres
Noise Level	< 70 dB(A)
Vibration	< 2.5m/s <sup>2</sup>
Cycle counter	Yes
Intensification ratio	37:1

### Placing capability

The 07537 placing tool can place the whole range of Speed Fastening® fasteners from diameter 3/32" (2.4mm) to 1/4" (6.4 mm).



### Dimensions (mm/inches)



Authorised UK distributors for: