

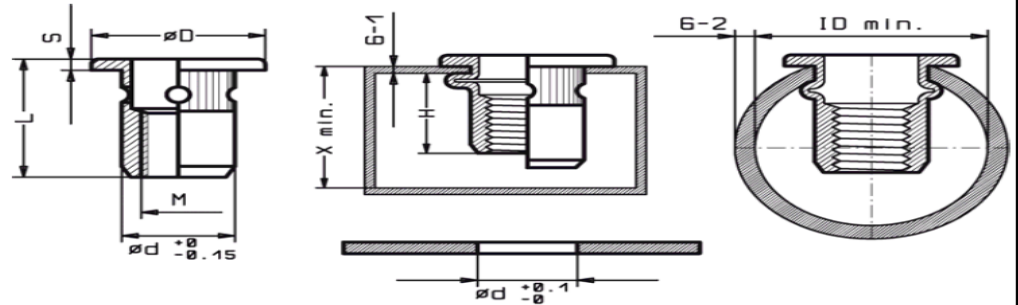


BCT Short Large Flange Knurled Nutserts

DATA SHEET D 403

LARGE FLANGE HEAD
Type: **sLF/KN**

BCT-MICRO



other grip ranges can be manufactured on request

21C

All dimensions in metric

M Thread	ød	L	øD	S	PROFILE			TUBE		Dimensions with part Number in bold are stock items			
					G-1	X	H ca.	G-2	ID	Steel 8.8 Part no.	Aluminium Part no.	Stainless Part no.	
M3													
M4 No 8-32	6.0	8.0	8.0	0.7	0.5-0.8 -1.8	6.2 7.2	4.2 4.2	0.3-0.8 0.3-0.8	8.5 8.5	T4M-01sLF/KN	A4M-01sLF/KN	--	
	6.0	8.7	8.0	0.7	1.5-2.0 -2.5	7.4 7.9	4.2 4.2	0.8-1.5 0.8-1.5	8.5 8.5	T4M-02sLF/KN	A4M-02sLF/KN	--	
M5 No 10-32	7.0	9.5	9.0	0.9	0.7-1.0 -2.0	7.4 8.4	5.0 5.0	0.5-1.0 0.5-1.0	10.0 10.0	T5M-01sLF/KN	A5M-01sLF/KN	--	
	7.0	10.5	9.0	0.9	2.0-2.5 -3.0	9.0 9.5	5.0 5.0	1.0-2.0 1.0-2.0	10.0 10.0	T5M-02sLF/KN	A5M-02sLF/KN	--	
M6 1/4-28	8.0	10.5	10.0	1.0	0.7-1.0 -2.0	8.5 9.5	6.0 6.0	0.5-1.0 0.5-1.0	12.0 12.0	T6M-01sLF/KN	A6M-01sLF/KN	--	
	8.0	11.5	10.0	1.0	2.0-2.5 -3.0	10.0 10.5	6.0 6.0	1.0-2.0 1.0-2.0	12.0 12.0	T6M-02sLF/KN	A6M-02sLF/KN	--	
M8 5/16-24	10.0	13.0	13.0	1.2	1.5-2.5 -3.0	11.0 11.5	7.5 7.5	0.5-1.2 0.5-1.2	18.0 18.0	T8M-01sLF/KN	A8M-01sLF/KN	--	
	10.0	14.5	13.0	1.2	3.0-4.0 -4.5	12.5 13.0	7.5 7.5	1.0-2.5 1.0-2.5	18.0 18.0	T8M-02sLF/KN	A8M-02sLF/KN	--	
	10.0	16.0	13.0	1.2	4.5-5.5 -6.0	14.0 14.5	7.5 7.5	2.0-4.0 2.0-4.0	18.0 18.0	T8M-03sLF/KN	A8M-03sLF/KN	--	
M10 3/8-24												--	

Authorised UK distributors for: